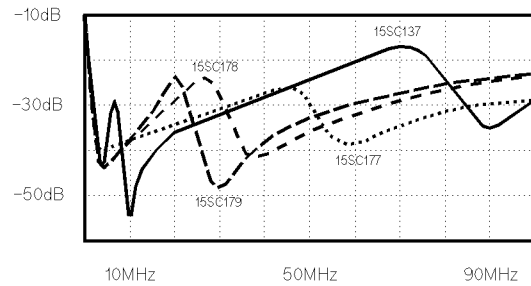
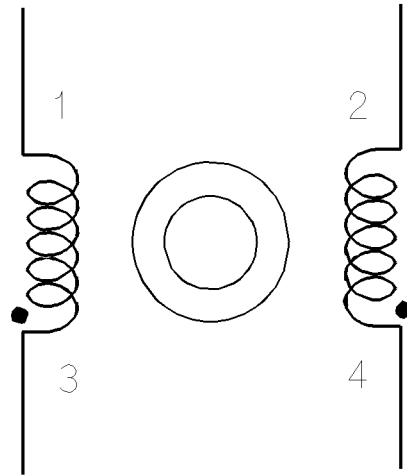
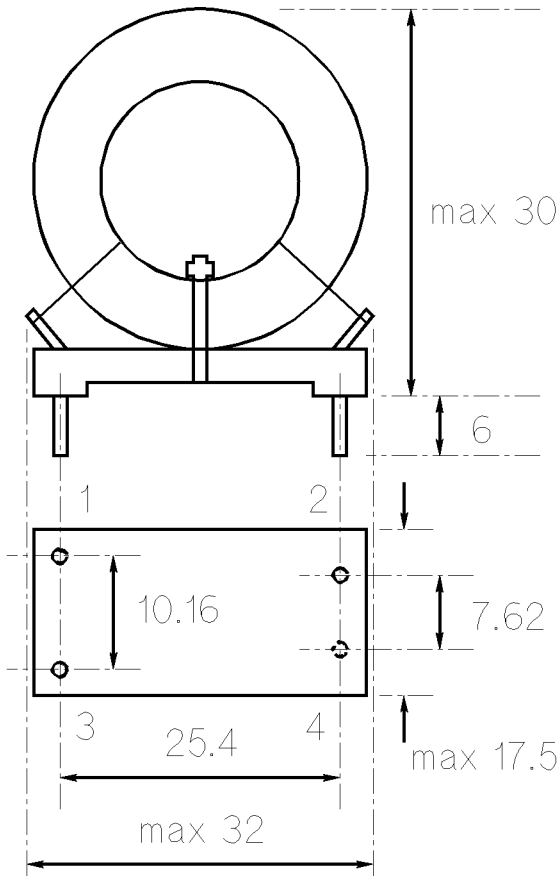


Types 15SC137, 177, 178,

COMMON MODE SUPPRESSION CHOKES



Typical Insertion loss v. Frequency (50 ohm system)

Type Number	(min.) mH	I max * A	Rdc Typ. mOhms
15 SC 137	10	2	150
15 SC 177	2.2	4	44
15 SC 178	1.1	6	21
15 SC 179	0.6	8	11

Double Insulated common mode choke for interference suppression of incoming mains supplies.

These chokes are sometimes called current compensated chokes.

- Insertion Loss up to 50 MHz > 20 dB typical
- Insertion Loss up to 1 GHz > 10 dB typical
- Insulation Test 3kV dc.
- Core Toroidal Ferrite
- Working Temperature -55°C to +85°C

To order these chokes please specify the type number.
 * For other temperatures use the "Load Ratings" curve 2 on page 17.