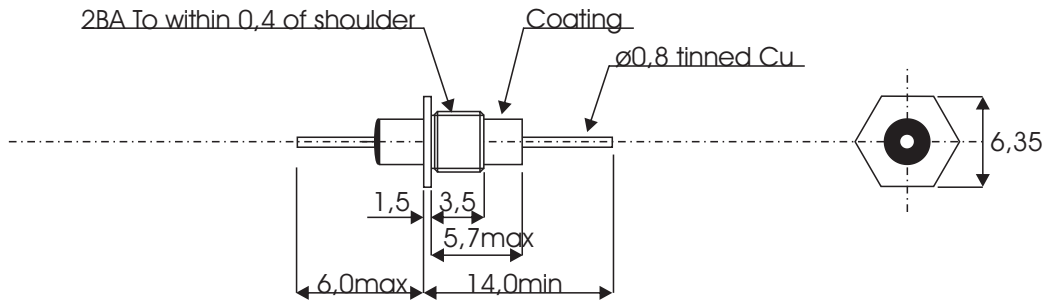


Feed-through capacitor

32813002S



Working voltage.....	500Vdc.
Test voltage.....	1500Vdc 1min.
Feed through current.....	max 10 A.
Insulation resistance.....	min 10^4 MOhm.
IEC category.....	55/085/56
Capacitance.....	1000pF-20/+80%
Class.....	X7R
Addition: delivered together with a hexagonal nut, loose, 6,35mm	